



## SMPS-124 / 242 DIN RAIL MOUNTED BATTERY CHARGERS 12V/4A 24V/2A



### DESCRIPTION

DATAKOM SMPS series are DIN Rail mounted, fixed output voltage, current limited lead acid battery chargers specially designed for use in gensets. Thanks to their continuous DC outputs they may also be used in a wide range of industrial applications where DC power is required.

The chargers are designed for permanent connection to genset starter batteries. When the battery voltage is below the float charge level, the charger provides constant current, nearly equal to the rated output current allowing a rapid recovery of the missing charge. When the battery voltage reaches the float level, the charger switches to constant voltage charge mode and maintains the battery fully charged, providing the maximum battery life, without overcharging or gassing.

The unit has overload and short circuit protections. This feature makes the units deliver only the rated current during engine cranking or a short circuit condition. They do not need disconnection during cranking. The high temperature protection of the unit reduces the output current in case of overheating. Thanks to their high efficiency, the self-heating of the chargers is kept in minimum levels allowing operation in warm environments.

The wide input voltage range allows the chargers to be used in most countries.

### TECHNICAL SPECIFICATIONS

		124	242
Technology	-	Switchmode (flyback) 100KHz	
Output Voltage	V-DC	13.7	27.4
Output Current	Amp.	4	2
Input Voltage Range	V-AC	170-270	
Input Frequency Range	Hz	45-65	
Operating Temp. Range	°C	-20 / +70	
Storage Temp. Range	°C	-40 / +80	
Max. Relative Humidity (non-condensing)	%	95	
Max. Input Power	Watt	70	
Efficiency (at full load)	%	80	82
Output Noise (Vpp)	Volt	0.2	
High Temp. Protection	-	Yes	
Short Circuit Protection	-	Yes	
Electrical Connections	-	2 Part plug-in connector and fast-on connector	
Width	mm	69	
Height	mm	87	
Depth	mm	62	
Weight (approx.)	gram	200	

## INSTALLATION

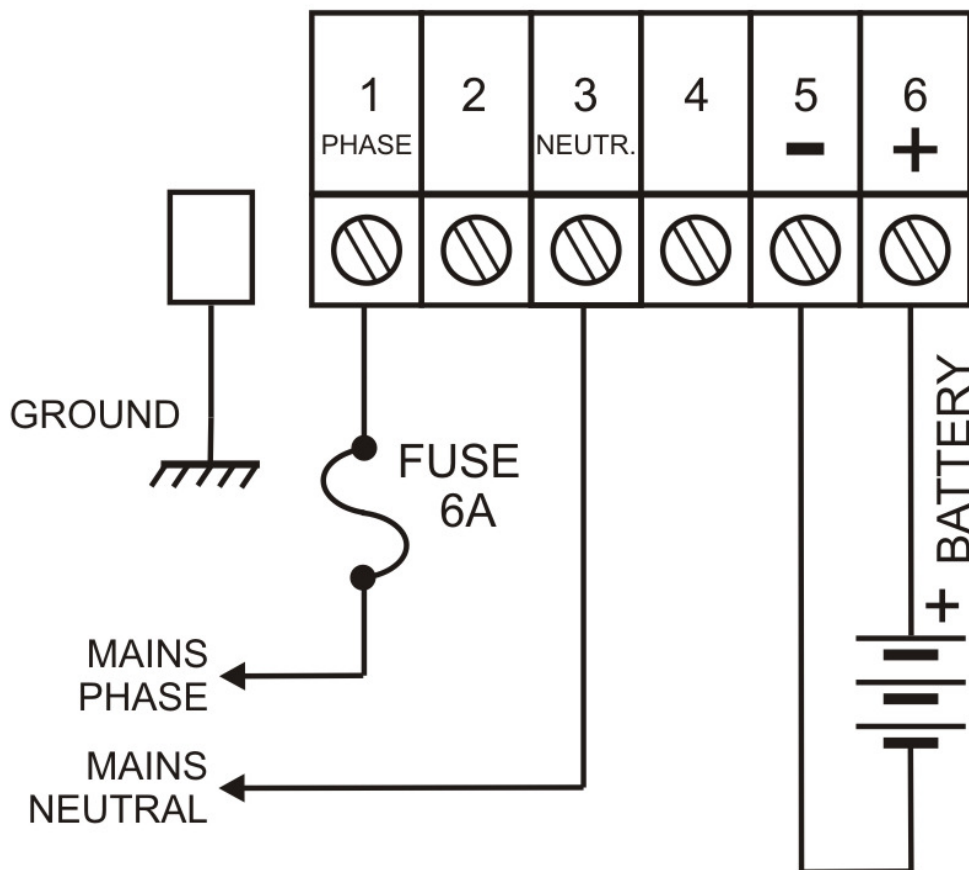
**WARNING:** The unit is designed only for installation within other equipment by professional installers. It must not be operated as a stand alone product.

The unit is for enclosed panel mounting. The user should not be able to access the unit. Only authorized service personnel will be allowed to access the unit. Mount the unit vertically. Allow at least 3cm space on the bottom and top sides to enable cooling by natural ventilation. Blocking the aeration will cause the unit to overheat.

**WARNING:** Use 6 Amps external fuse at the phase input.

**WARNING:** ALWAYS disconnect the power BEFORE connecting the unit.

## CONNECTION DIAGRAM



**DATAKOM Electronics Limited**

Tel : +90-216-466 84 60 Fax : +90-216-364 65 65  
e-mail : [datakom@datakom.com.tr](mailto:datakom@datakom.com.tr) <http://www.datakom.com.tr>