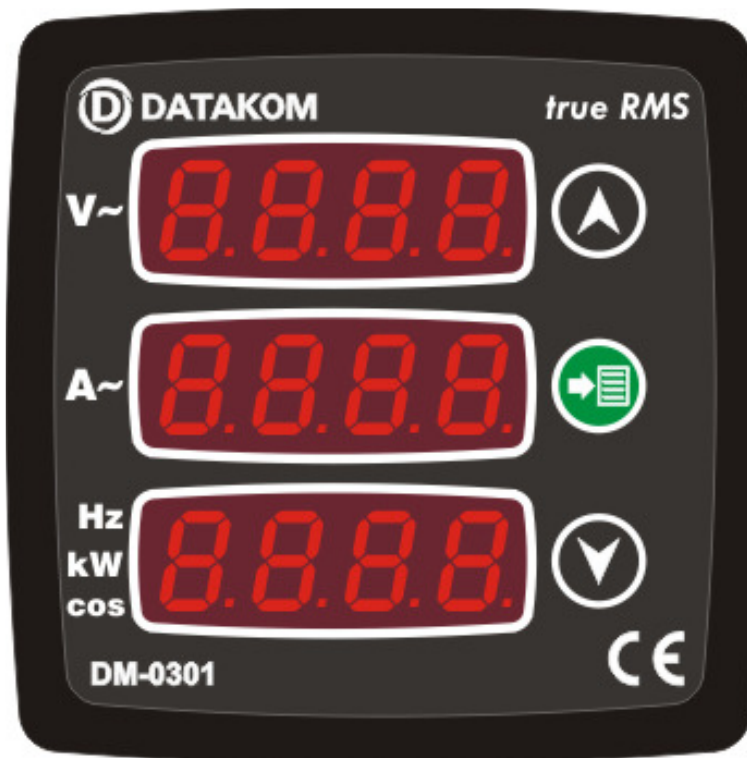


DM-0301 DIGITAL MULTIMETER
72x72 mm
TRUE RMS



INTRODUCTION

These state-of-the-art panel meters are designed for accurate measurement of the AC RMS voltage, AC RMS current, frequency, active power and power factor in single-phase systems.

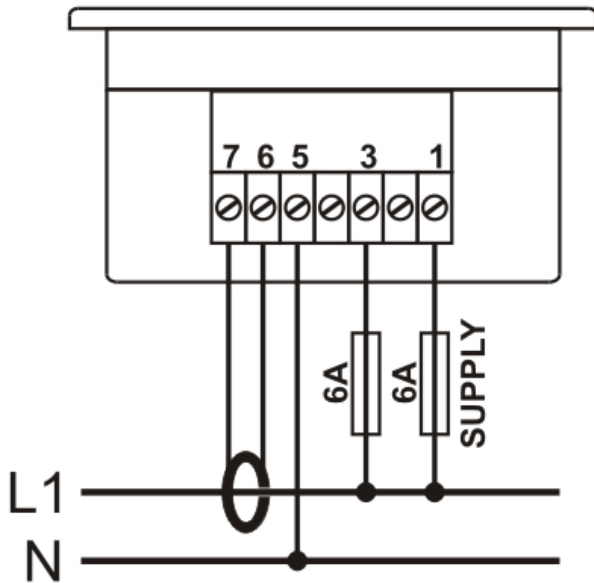
Although they are mainly used in electrical panels, these devices can also be integrated in many other applications.

The current transformer ratio can be set between 5/5A and 5000/5A via front panel buttons.

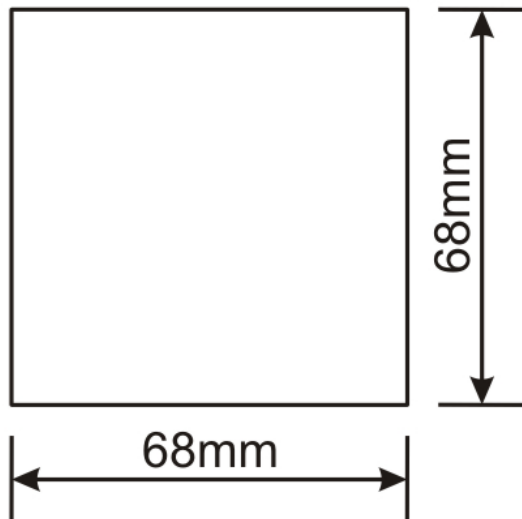
Devices have separate inputs for supply and measurement.

The unit allows both manual selection of the display channel and automatic scrolling.

CONNECTION DIAGRAM

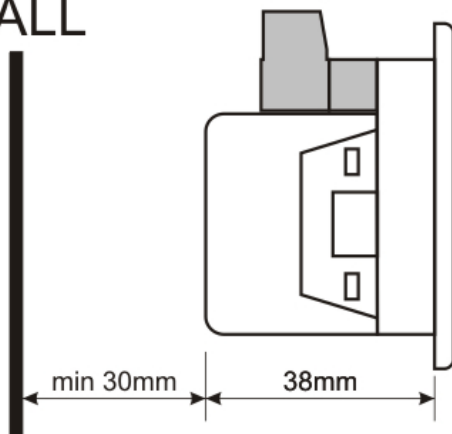


PANEL CUTOUT DIMENSIONS



MOUNTING TOLERANCES

WALL



TECHNICAL SPECIFICATIONS

Power Supply Input: 170 - 275VAC
50 - 60Hz nominal ($\pm 10\%$)
Different AC/DC supply values available.

Measurement Inputs:
10 - 300 V AC
0.2 - 5.50 A AC
30 - 100 Hz

Accuracy: Volts-Amps-Hz: 0.5% + 1 digit
kW : 1.0% + 2 digits
cos: 2.0% + 2 digits

Power Consumption: < 1.5W

Burden:
Voltage input: < 0.1VA per phase
Current input: < 1VA per phase

Operating Temperature: -40°C ; +80 °C

Maximum Humidity: 95% non-condensing.

Degree of Protection: IP 54 (Front Panel)
IP 30 (Back panel)

Enclosure:
Non-flammable, ROHS compliant, high temperature ABS/PC (UL94-V0)

Installation:
Flush mounting with rear retaining brackets

Dimensions: 78x78x41mm (WxHxD)

Panel Cutout Dimensions: 68x68mm

Weight: 145 gr

EU Directives Conformity:
2006/95/EC (low voltage)
2004/108/EC (EMC)

Norms of reference:
EN 61010 (safety requirements)
EN 61326 (EMC requirements)

PACKAGING INFORMATION

Pieces per Package: 24 Pcs
Package Size: 280 x 170 x 215mm (LxWxH)
Package Weight: 3.7 kg

DATAKOM Electronics Limited

Tel : +90-216-466 84 60

Fax : +90-216-364 65 65

e-mail : datakom@datakom.com.tr

http: www.datakom.com.tr

