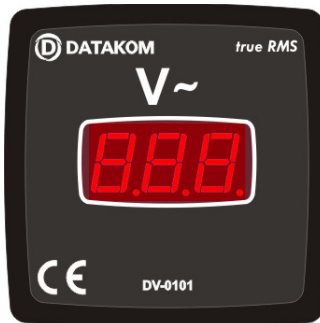


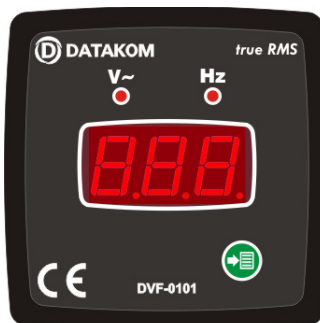
DV-0101 DIGITAL VOLTMETERS
DF-0101 DIGITAL FREQUENCY METERS
DVF-0101 / DVF-0103 VOLT-FREQUENCY METERS
72x72 & 96x48mm SIZES
TRUE RMS



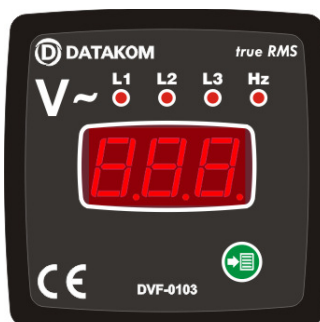
DV-0101
Voltage



DF-0101
Frequency



DVF-0101
Voltage and
Frequency



DVF-0103
3 Phase Voltage and
Frequency

INTRODUCTION

These state-of-the-art panel meters are designed for accurate measurement of the AC RMS voltages and frequency in single-phase and three-phase systems. Although they are mainly used in electrical panels, these devices can also be integrated in many other applications.

Devices have separate inputs for supply and measurement with common neutral point.

Through front panel buttons, phase-to-phase (L1-L2, L2-L3, L3-L1) and phase-to-neutral (L1-N, L2-N, L3-N) voltages and frequency can be selected and read from the display. Automatic parameter scroll is also available

TECHNICAL SPECIFICATIONS

Power Supply Input: 170 - 275VAC
50 - 60Hz nominal ($\pm 10\%$)
Different AC/DC supply values available.

Measurement Inputs:
10 - 300 V AC (Phase-Neutral)
20 - 520 V AC (Phase-Phase)
30 - 100 Hz

Accuracy: 0.5% + 1 digit

Power Consumption: < 1.5W

Burden: < 0.1VA per phase

Operating Temperature: -40 °C ;+80 °C

Maximum Humidity: 95% non-condensing.

Degree of Protection: IP 54 (Front Panel)
IP 30 (Back panel)

Enclosure:
Non-flammable, ROHS compliant, high temperature ABS/PC (UL94-V0)

Installation:
Flush mounting with rear retaining brackets

Dimensions:
96x48 models: 102x54x41mm (WxHxD)
72x72 models: 78x78x41mm (WxHxD)

Panel Cutout Dimensions:
96x48 models: 92x44mm
72x72 models: 68x68mm

Weight: 125 gr

EU Directives Conformity:
2006/95/EC (low voltage)
2004/108/EC (EMC)

Norms of reference:
EN 61010 (safety requirements)
EN 61326 (EMC requirements)

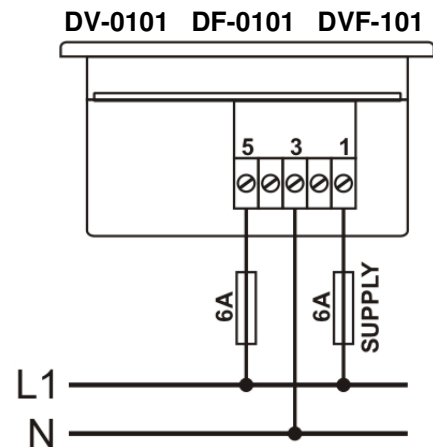
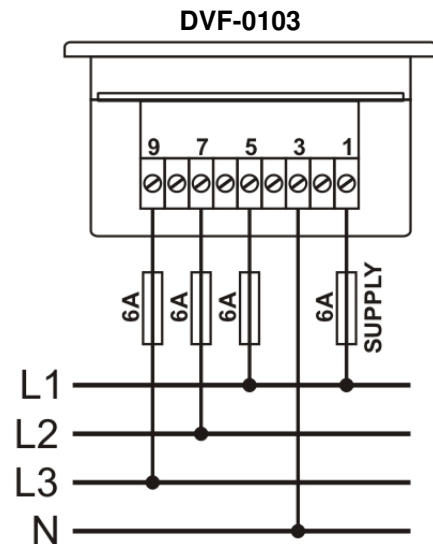
PACKAGING INFORMATION

Pieces per Package: 24 Pcs

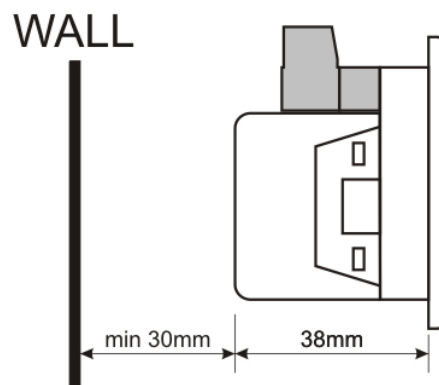
Package Size: 280 x 170 x 215mm (LxWxH)

Package Weight: 3.2 kg

CONNECTION DIAGRAMS



MOUNTING TOLERANCES



DATAKOM Electronics Limited

Tel : +90-216-466 84 60

Fax : +90-216-364 65 65

e-mail : datakom@datakom.com.tr

http: www.datakom.com.tr

